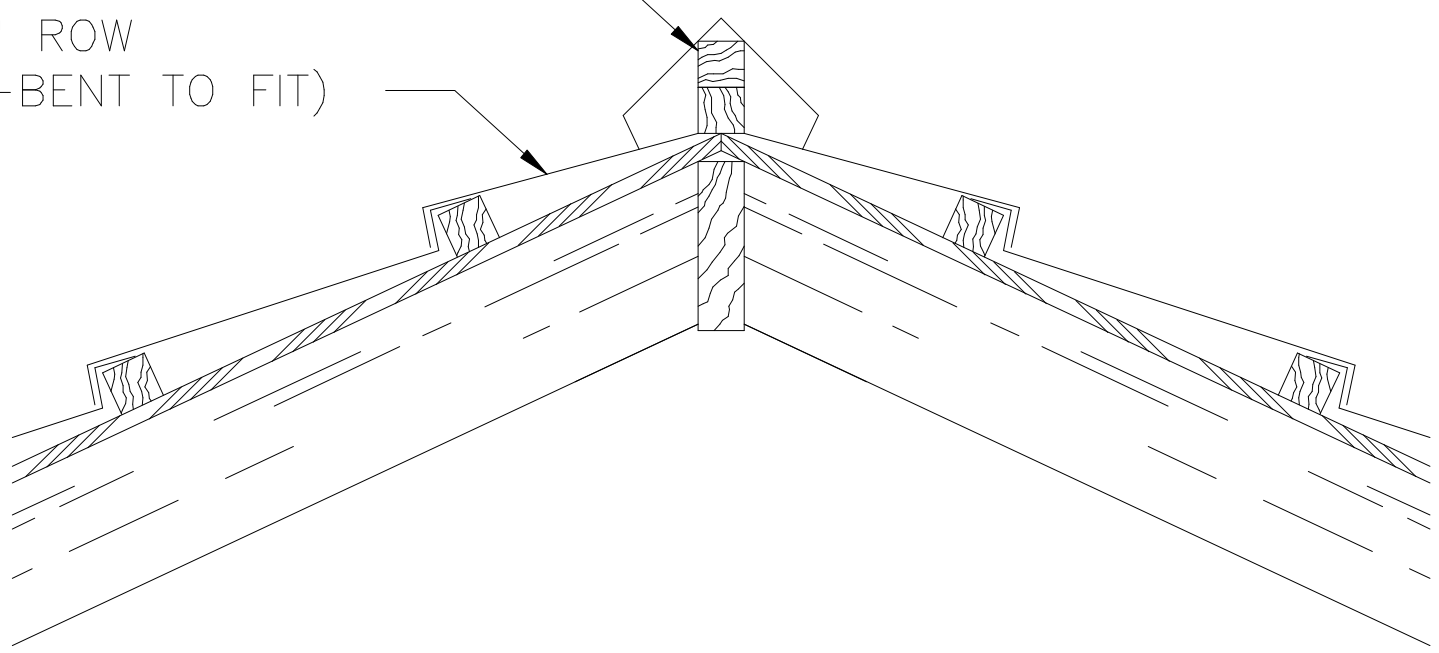


TWO 2" X 2" BATTENS  
STACKED FOR RIDGE  
BUILD-UP  
(50mm X 50mm)

"FILL" ROW  
(CUT-BENT TO FIT)



SHAKE TRIM  
RIDGE