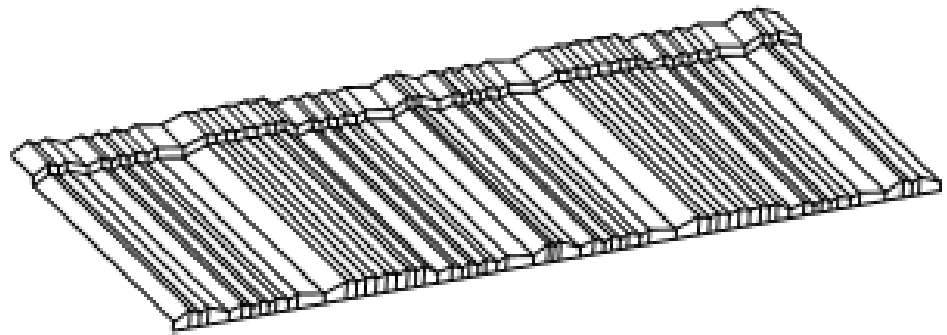
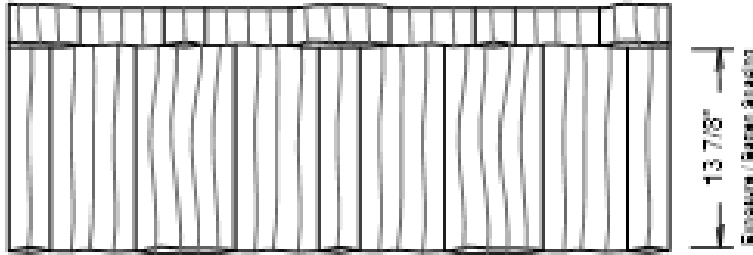




A **HW HEADWATERS**  
ROOFING GROUP product

# CANYON SHAKE SHINGLE INSTALLATION GUIDE

## Battenless Application



### INSTALLATION NOTIFICATION

The installation procedures demonstrated in this manual are recommended methods for the installation of the Gerard Canyon Shake “Shingle” roofing system. They are not the only ways to install a Gerard system but are acceptable methods for the standard installation of the Gerard product. Contractors and installers should at all times use their professional judgment, and modify and tailor details to fit their specific installation and to meet local codes and ordinances. Due to the fact that Gerard has no control over the actual installation of the product, Gerard assumes no liability for incorrect installation of its product or any personal injury that may occur while installing such product. Nor does Gerard express nor imply any warranty related to the installation of the product. Gerard’s liability with regards to the Gerard product is limited exclusively to its standard written lifetime limited warranty. Therefore, Gerard recommends that only professional roofing contractors, who have completed the Gerard Factory Training Program, should install the Gerard roofing system. Although a contractor has completed the factory training course, Gerard does not guarantee the success of the installation.



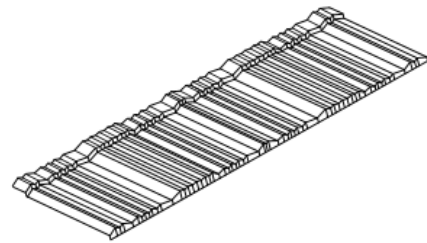
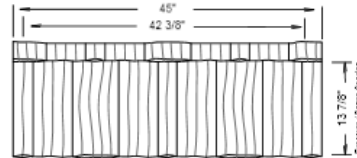
A **HW HEADWATERS**  
ROOFING GROUP product

# CANYON SHAKE SHINGLE INSTALLATION GUIDE

## Battenless Application

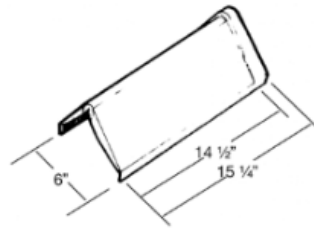
### Gerard Canyon Shake

Actual Size= 45" x 16.5"  
 Exposure= 42 3/8" x 13 7/8"  
 Weight= 5.83lbs. per panel  
 Panels per square (100 sq. ft.)=  
 24.5 pcs  
 Weight per square=  
 140 lbs.



### Gerard Shake Cap

Actual Size= 15 1/4" x 6"  
 Exposure= 14 1/2" x 6"  
 Weight per cap= 1lb.



### Canyon Shake Shingle

The Canyon Shake Shingle is designed to emulate the traditional hand-split wood shake. The profile gives a rugged wood shake appearance and adds strength making it a very walkable stone coated steel roof. The minimum install pitch for Canyon Shake is a 3" rise in a 12" run

### Optional Methods

The Canyon Shake Shingle details may be blended with standard direct to deck procedures. Bending of the panel at chimneys and skylights may be simpler to perform.




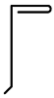



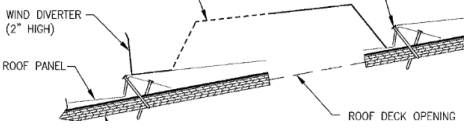
A **HW HEADWATERS**  
ROOFING GROUP product

**CANYON SHAKE**

# SHINGLE INSTALLATION GUIDE

## Battenless Application

### Parts and Accessories

<p><b>Fast Track</b></p>	
<p><b>FT Rake Trim</b></p>	
<p><b>FT Wall Trim</b></p>	
<p><b>Valley Cap</b></p>	
<p><b>Eave Metal</b> (3.5" fascia, 5" fascia or GR Starter)</p>	
<p><b>EZ Vent</b></p>	
<p><b>Rigid Vent</b></p>	<p>As provided by Gerard (or similar to Cor-a-vent) ¾" Cor-a-vent (used at eave detail)</p>
<p><b>Seal Foam</b></p>	<p>As provided by Gerard (or similar to Emseal) ¾" x 1" Emseal (used at valley cap) 1" x 1" Emseal (used at rake and hip FT)</p>
<p><b>Fasteners</b></p>	<p>As provided by Gerard ¾" Stitch Screw (to be used at trim to Fast Track) 2 ½" Panel Screws (fasten panels to structure) 2 3/8" Ring Shank Nails (optional panel fastening) 1 ½" Washered Screws (use to attach Fast Track)</p>



A **HW HEADWATERS**  
ROOFING GROUP product

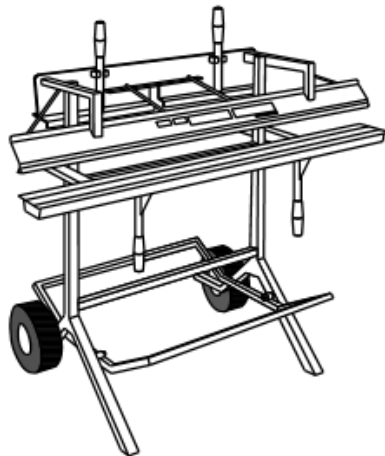
# CANYON SHAKE SHINGLE INSTALLATION GUIDE

## Battenless Application



### Tile Cutter

This tool is used to cut the panels both in length and width. The legs are removable for ease of handling, the cutter adjusts for left or right handed use. The blade is reversible



### Shake Brake

The brake can perform multiple tasks:

1. Make half panel bends up and down.
2. Bend full panels across the width
3. Bend flat stock and modify existing flashing.
4. Complete taper bends for trimless details.

## General Safety Notes:

The safety tips provided here are for general awareness of the user. Gerard Roofing Technologies assumes no liability or responsibility for incorrect use of the products or any personal injury that may be caused as a result of use.

- Select an open area and establish a safe working perimeter to set up tools. Instruct anyone in the vicinity of the safe working area.
- Inspect each tool before each use. Do not use a tool that is not in good working condition. Regularly maintain tools for best performance.
- Wear personal protective equipment.
- Be aware of “pinch points” and keep hands and clothing away from such.
- Use the correct tool for the job.



A **HW HEADWATERS**  
ROOFING GROUP product

# CANYON SHAKE SHINGLE INSTALLATION GUIDE

## Battenless Application

### General Information

#### **Storage**

Product must be kept covered, well ventilated and dry until installed. If the stacked tiles become wet, they should be immediately separated and dried. Please refer to MCA minimum performance guidelines for more detailed standard practice information relating to site storage of metal roofing.

#### **Roof Traffic**

The Battenless tiles by Gerard are installed from the eaves up. When walking on the installed tiles, walk on the front edge of the low sections where the two rows come together and are attached. Avoid stepping on side laps.

#### **Footwear**

When it is required to walk on the Gerard tiles, rubber soled athletic type shoes or similar soft soled footwear is recommended to avoid damage to the finished product and to provide grip for safety.

#### **Roof Pitch**

The Gerard tile is designed to be installed from a minimum of 4:12 pitch up to a vertical face in all climates and down to 3:12 pitch in warm weather climates. For slopes under 3:12, the tiles act only as a decorative roof covering. In this type of installation please consult our technical department (1-800-237-6637) and the local building officials.

#### **Underlayment**

Underlayment is generally required by most building codes. When allowed by the building code, underlayment is not required in re-roofing over existing composition roofs when the existing roof is in acceptable condition to act as the roofs underlayment. The exception to this condition will be in areas of extreme weather conditions where the underlayment should be of a type required by the local building code and official.

#### **Galvalume**

The Gerard Stone Coated Steel Roof System is produced exclusively from long lasting Galvalume Steel. The Galvalume coating will react unfavorably if in direct contact with lead or copper in a wet environment. Rain water run-off from copper roofs onto a Gerard Roof should be avoided as the run-off can be aggressive in nature and may attack the finishes. Only approved fasteners should be used. Please consult the technical department for recommendations.

#### **Pressure Treated Battens**

The use of copper based pressure treated lumber should NOT be used when installing Gerard roofing products. The use of such will void the lifetime limited warranty offered by Gerard. Any questions call our technical department at 1-800-237-6637.

#### **Use of Fasteners in Saltwater Areas**

All exposed fasteners used for the installation of Gerard Roofing products within one mile of non-freshwater properties must be stainless steel.

#### **Severe Weather Conditions**

If the area to which the Gerard panels are to be installed is prone to severe ice, snow, water or wind, additional measures may be required. Please contact the Gerard technical department for more detailed procedures 1-800-237-6637.

#### **Installation Labor**

A minimum two man crew is recommended from start to finish. This will provide a cost effective, quality installation. A qualified two man crew is generally able to install a minimum of one square (100 sq. ft.) per hour under normal circumstances.



A **HW HEADWATERS**  
ROOFING GROUP product

# CANYON SHAKE SHINGLE INSTALLATION GUIDE

## Battenless Application

### Roof Preparation

\*Gerard Canyon Shake Shingles can be installed over composition shingle or over solid sheathing (solid sheathing will require code approved underlayment).

#### 1. Re-roof over composition shingles, the procedures are as follows:

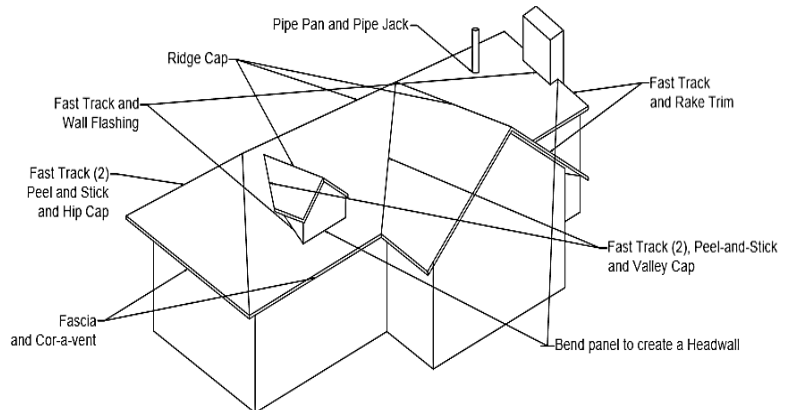
1. Cut back existing shingles flush with the perimeter of the roof.
2. Remove existing drip edge.
3. Remove hip and ridge cap.
4. Dry-in with a minimum #30 felt underlayment in proper “shingle” method as per manufacturer.

#### 2. New Construction or full Removal of existing roof, procedures as follows:

1. Remove all existing roofing materials to deck. Ensure deck is to local code.
2. Install new minimum #30 felt underlayment according to local code requirements and manufacturer specifications. #30 equivalent synthetic underlayment is acceptable.
3. Install valley materials including water barrier underlayment.
4. Install ice and water shield at all valleys, rakes and eaves.

#### Notes:

1. Make sure deck attachment is to code but at a minimum 8d x 2 3/8” Ring Shank Nails spaced 6” O.C.
2. Minimum underlayment should be ASTM D226 Type II #30 felt fastened according to code.
3. Where fire barrier is required UL listed fire barrier with valid evaluation report is approved when installed according to code.
4. Local building codes govern.



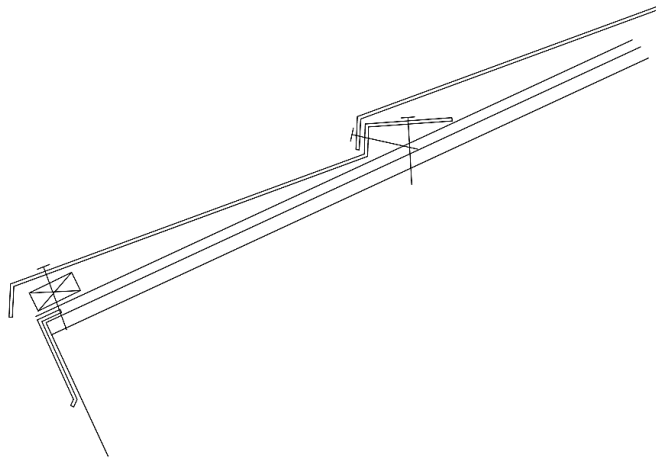


A **HW HEADWATERS**  
ROOFING GROUP product

# CANYON SHAKE SHINGLE INSTALLATION GUIDE

## Battenless Application

### Eave Detail



At the eave:

1. Install Eave Metal (Granite Ridge starter drip, 3 ½" or 5" fascia metal, "t-style" drip edge, or apron style drip edge)
2. Install dry-in material **on the top** of the Eave Metal
3. Install rigid vent material or nominal 1" x 4" with ring shank nails 16" on center at fascia to maintain proper alignment of panel
4. Install Canyon Shake panel with fastener of sufficient length to penetrate decking by a minimum of ¾"
5. Seal and chip fasteners that penetrate the top surface of the panel (fastener locations at bottom panel)
6. Fasten panels as required

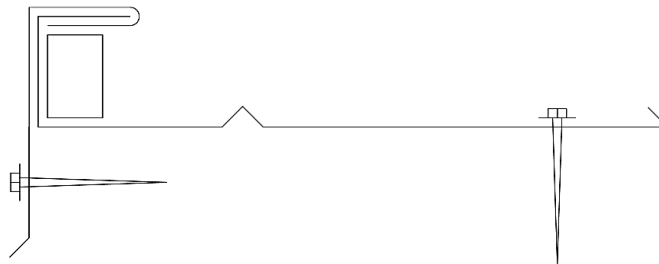


A **HW HEADWATERS**  
ROOFING GROUP product

# CANYON SHAKE SHINGLE INSTALLATION GUIDE

## Battenless Application

### Rake Trim Detail



At the rake edge:

1. Place Fast Track flush to the existing rake fascia and extend past eave a minimum of  $\frac{1}{2}$ "
2. Fasten Fast Track with minimum  $1\frac{1}{2}$ " washered screws 16" on center
3. Install the Rake Trim onto the Fast Track using appropriate sized screw into the face at 16" on center (**This is an important step to follow prior to panel installation. If this step is done out of order, the process may be complicated.**)
4. Install sealing foam into the Fast Track making certain that the foam is positioned toward the top of the track
5. Cut Canyon Shake panel to the correct length. **DO NOT CUT PANEL WITH SAW OR GRINDER**
6. Install the Canyon Shake panel into the Fast Track to compress the foam
7. Fasten panels as required (a  $\frac{3}{4}$ " stitch screw should be used at the panels over the Fast Track. DO NOT penetrate the Fast Track)
8. Optional Detail: in place of the Rake Trim, the Shake Trim may be used. Fasten Shake Trim to Fast Track with a stitch screw and at the fascia with an appropriate screw. DO NOT penetrate the bottom of the Fast Track with the stitch screw



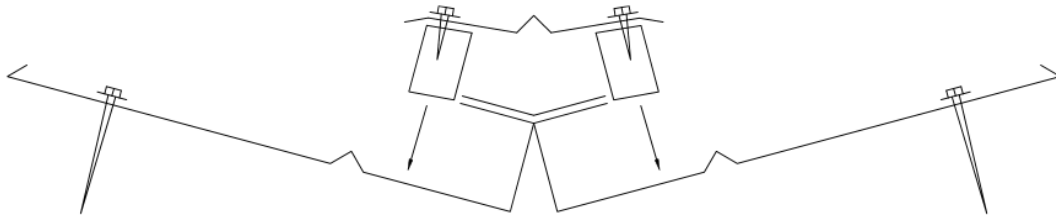


A **HW HEADWATERS**  
ROOFING GROUP product

# CANYON SHAKE SHINGLE INSTALLATION GUIDE

## Battenless Application

### Valley Trim Detail



At the valley intersection:

1. Place Fast Track on both sides of valley location
2. Install 3" valley clip at top union of Fast Track ends at butt joint
3. Fasten Fast Track with minimum 1 ½" washered screws 16" on center
4. Install a 3" wide strip of peel and stick membrane on top of the Fast Track butt joint
5. Cut Canyon Shake panel to the correct length and angle to match valley angle. **DO NOT CUT PANEL WITH SAW OR GRINDER**
6. Install the Canyon Shake panel into the Fast Track
7. Install ¾" seal foam onto the Valley Cap making certain that the seal foam is to the outside bend of the cap
8. Install the Valley Cap to cover the Fast Track butt joint and stitch screw the cap with ¾" stitch screws at 16" on center with the fasteners fastened into the horizontal joint of panel installation
9. Fasten panels as required (a ¾" stitch screw should be used at the panels positioned over the Fast Track. DO NOT penetrate the Fast Track)

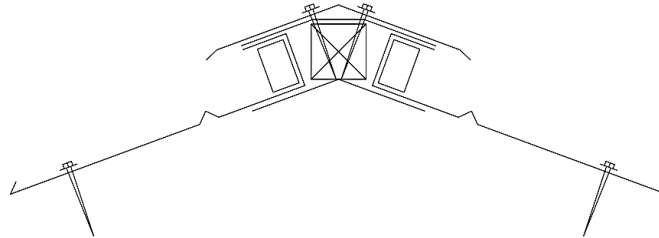


A **HW HEADWATERS**  
ROOFING GROUP product

# CANYON SHAKE SHINGLE INSTALLATION GUIDE

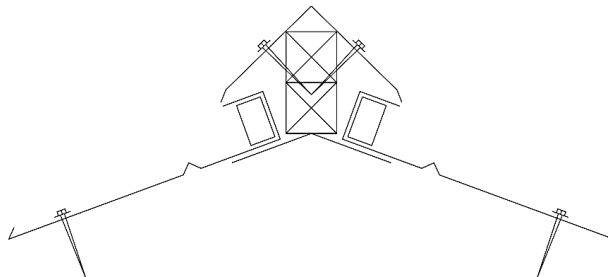
## Battenless Application

### Hip Trim Detail



At the hip intersection:

1. Position a nominal 2"x2" batten centered on the sheeting joint
2. Fasten batten to the structure 12" on center
3. Place Fast Track up against the batten and fasten to the decking with minimum 1 1/2" washed screws 16" on center
4. Install seal foam into the Fast Track making certain that the seal foam is at the top of the track
5. Cut Canyon Shake panel to match hip angle. **DO NOT CUT PANEL WITH SAW OR GRINDER**
6. Install Canyon Shake panel into Fast Track to compress the seal foam
7. Install peel and stick membrane over Fast Track and batten
8. Shape and install Shake Trim with panel screws into the 2"x2" (Optional use of Gerard Granite Ridge Hip and Ridge may be used)
9. Fasten panels as required (a 3/4" stitch screw should be used at the panels over the Fast Track. **DO NOT** penetrate the Fast Track)
10. Optional: It may be necessary to add a second 2"x2" for proper alignment (see below)



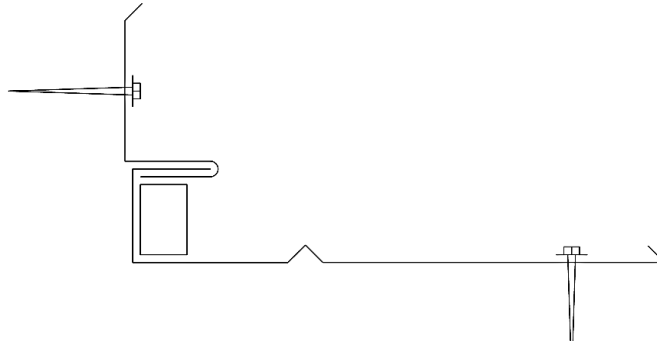


A **HW HEADWATERS**  
ROOFING GROUP product

# CANYON SHAKE SHINGLE INSTALLATION GUIDE

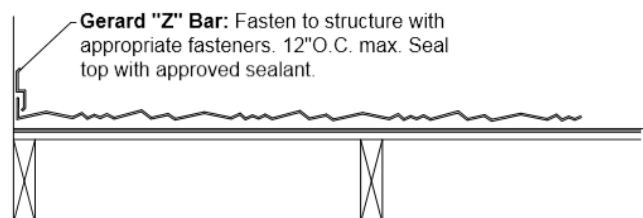
## Battenless Application

### Wall Trim Detail



At the wall intersection:

1. Place Fast Track tight against the wall
2. Fasten Fast Track with minimum 1 ½" washered screws 16" on center
3. Install Wall Flashing onto the Fast Track and fasten to the wall using appropriate fasteners for wall material
4. Caulk Wall Flashing with approved sealant
5. Install seal foam into the Fast Track making certain that the seal foam is at the top of the track
6. Cut Canyon Shake panel to the correct length. **DO NOT CUT PANEL WITH SAW OR GRINDER**
7. Install the Canyon Shake panel into the Fast Track to compress the seal foam
8. Fasten panels as required (a ¾" stitch screw should be used at the panels over the Fast Track. **DO NOT** penetrate the Fast Track)
9. Optional Detail: at side walls that exit short of an eave (skylights, chimney, etc.) a minimum 1 ½" turn-up of the Gerard panel in place of the Fast Track may be an easier installation.



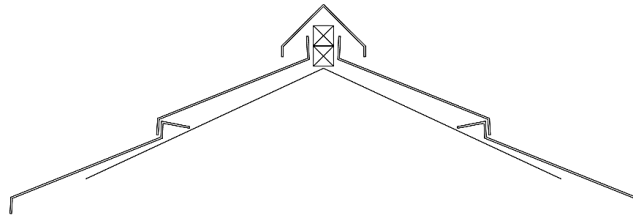


A **HW HEADWATERS**  
ROOFING GROUP product

# CANYON SHAKE SHINGLE INSTALLATION GUIDE

## Battenless Application

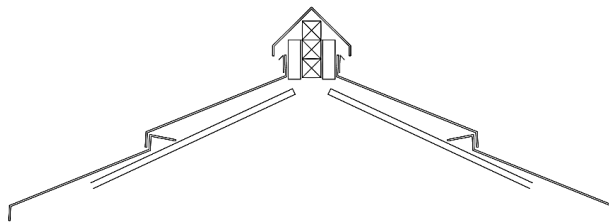
### Non-Vented Ridge Detail



At the ridge:

1. Stack two (2) nominal 2"x2" on the ridge and fasten to the structure
2. Bend and cut Canyon Shake panel to size needed. **DO NOT CUT PANEL WITH SAW OR GRINDER**
3. Install Shake Cap, fastening into the 2"x2" on each side
4. Fasten panels as required (a 3/4" stitch screw should be used at the panels over the Fast Track. DO NOT penetrate the Fast Track)

### Vented Ridge Detail



At the ridge:

1. Make certain that appropriate opening is provided in roof decking
2. Stack three (3) nominal 2"x2" on the ridge and fasten to the structure
3. Install vent material to stacked 2"x2"'s
4. Bend and cut Canyon Shake panel to size needed. **DO NOT CUT PANEL WITH SAW OR GRINDER**
5. Install Wind Soffit to bent panel (panel may be formed to create wind soffit)
6. Install Shake Cap, fastening into the 2"x2" on each side (2) maintaining air space
7. Fasten panels as required (a 3/4" stitch screw should be used at the panels over the Fast Track. DO NOT penetrate the FastTrack)

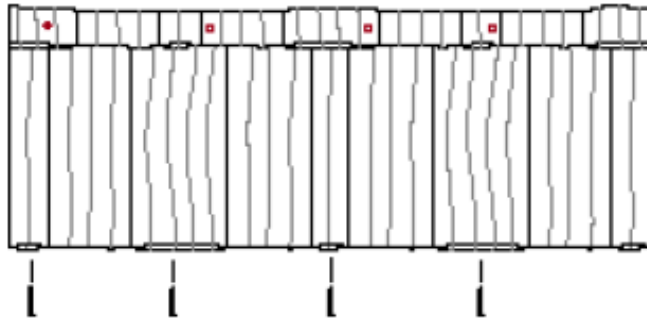


A **HW HEADWATERS**  
ROOFING GROUP product

# CANYON SHAKE SHINGLE INSTALLATION GUIDE

## Battenless Application

### Standard Panel Fastener Locations

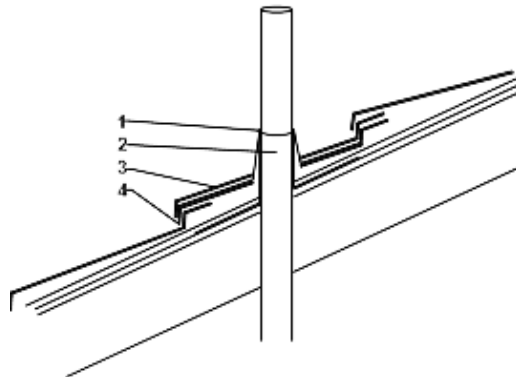


For high wind fastening locations please consult the Gerard Technical Staff

### Pipe Flashing

#### Double Pan Method

1. Granule coated pipe flashing
2. Dry-in pipe flashing if needed (no copper or lead)
3. Gerard Canyon Shake panel.  
Hole cut tight to pipe flashing and caulked and stone chipped
4. "Base" Gerard Canyon panel. This panel is a support for the flashing





A **HW HEADWATERS**  
ROOFING GROUP product

# **CANYON SHAKE SHINGLE INSTALLATION GUIDE**

**Battenless Application**

## **NOTES**